

Designed and Manufactured in Australia by:
THOMAS MOLONEY PTY LTD
 T/as ON SITE SYSTEMS
 PH: (02) 4340 1444 Fax: (02) 4340 1400
 Email: rolacase@ozemail.com.au
 Web: www.rolacase.com

SHELF RAIL ATTACHMENT

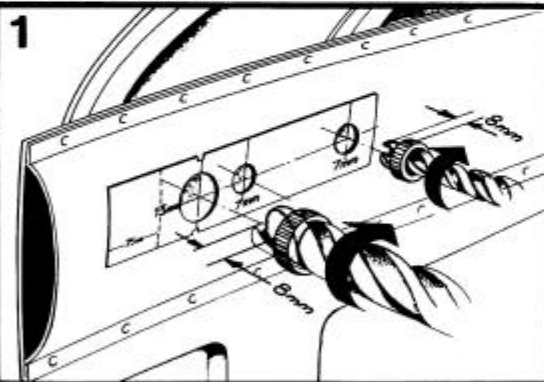
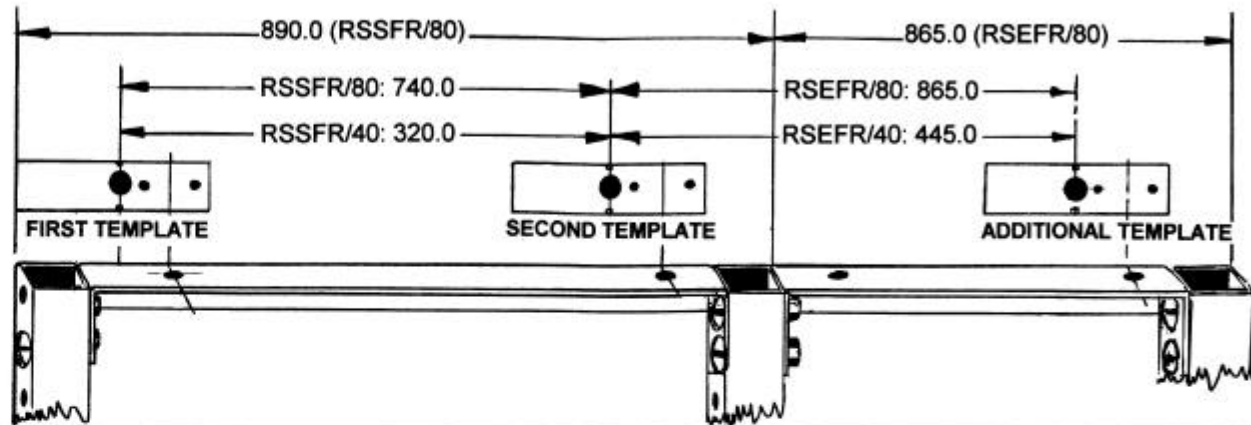
EQUIPMENT REQUIRED: 13mm Drill with reduced shank for a 3/8" Drill Chuck and a 7mm Drill. Establish the correct measurements for your installation. Refer Diagram B.

Example; installation for 1-RSSFR/80
 1-RSEFR/40

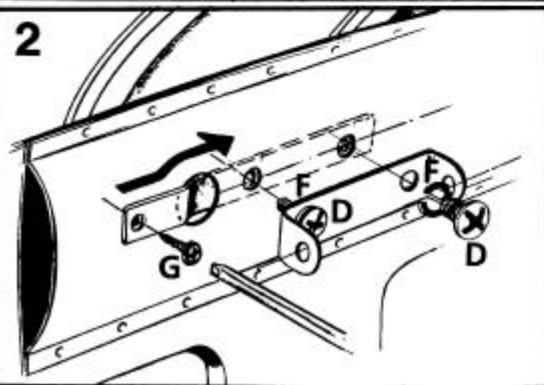
Template → measure 740mm Template → measure 445mm Template

- * Cut out template from this sheet. Diagram A.
- Locate position for first template to align with first left vertical post as per Diagram B.
- * Mark template.
- * Use measure points to locate further template locations.
- * Use diagrams and instructions below for further installation assistance.

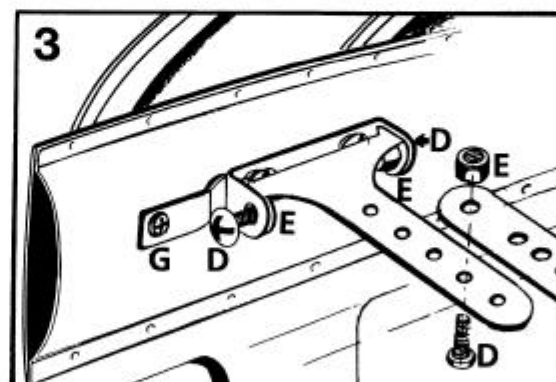
B



Use a centre punch on all drill centres. When drilling the holes ensure drills do not come in contact with outside skin. A 13mm drill with reduced shank for a 3/8" chuck should be used. A suitable tape or collar should be applied to twist-drill shafts. A maximum drill depth of 8mm only will ensure drill bit is not dragged into the hole. Refer Diagram 1.

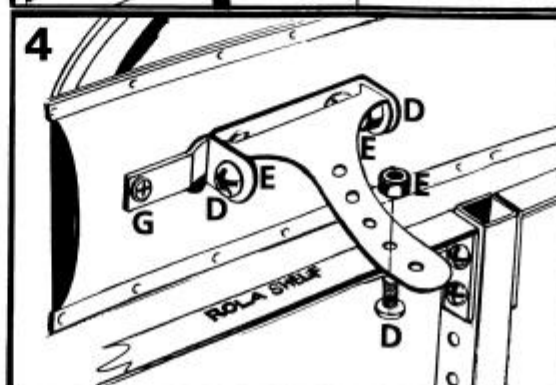


Offer the Holding Base Bracket through the 13mm hole to align with corresponding holes in drilled Shelf Rail. Secure base bracket first with screw "G" before any further installation. Refer Diagram 2. Holding Base Bracket in place, use parts and screw supplied to attach "U" Bracket



C

Attach Frame Bracket to Shelf Bracket. Refer Diagram 3.
 Some vehicles may require the use of the extension bracket Refer Dealer



Bend the Frame Bracket accordingly to the corresponding hole which is pierced into the Top Rail of the ROLA-SHELF frame. Refer Diagram 4.